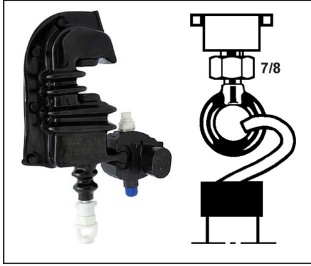


CD13AMG80 (B) IPC connector Medium Voltage 25 & 35 kV

STANDARDS:
ANSI 119.4
ASTM F855 - G3



CD13AM-G80

The CD13AM-G80 is a medium voltage (25 kV & 35 kV) covered insulation piercing connector (IPC) for **unshielded** aerial spacer cable and tree wire that can be installed with a hot stick. It utilizes a single shear bolt for a controlled torque and an easy watertight installation. Two models are available – one with a bus bar for hot line clamp and grounding connections, or with an IPC for cable connections.

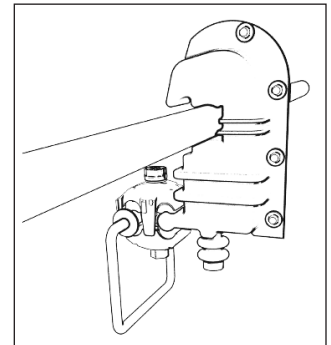
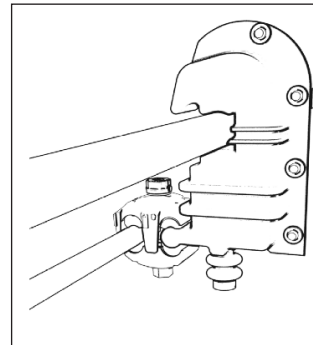


CD13AM-G80B
with Bus Bar

CD13AM-G80 (B)	Sheath thickness (in)	OD range (in)	Cable range 25 kV	Cable range 35 kV
Main	0.236 – 0.320	0.866 – 1.572	1/0 – 556 kcmil	1/0 – 556 kcmil
TTD CD13 Tap	0.059 – 0.090	0.415 – 0.660	#1 – 4/0 covered	#1 – 4/0 covered
CD13AMG80B Bus Bar			4/0 copper	4/0 copper

Product Overview and Applications

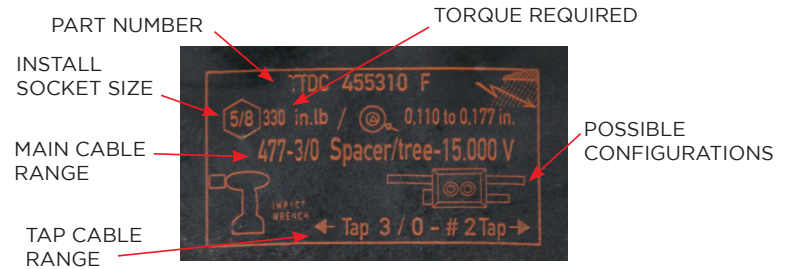
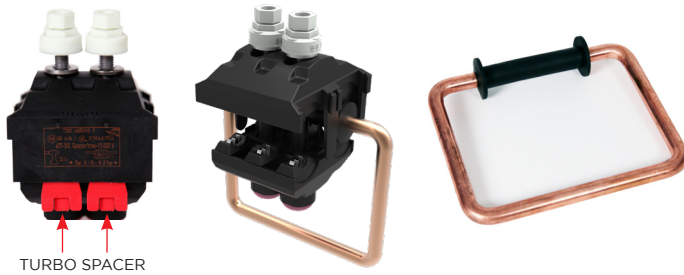
- The CD13 has a weather and UV resistant cover for environmental protection – it is not insulation.
- CD13 connector can be installed with a hot stick on unshielded 25 or 35 kV aerial spacer cable and tree wire.
- Main cable is aluminum conductor only, tap can be either aluminum or copper conductor.
- A double head engineered shear bolt applies consistent pressure for a reliable watertight connection (the first head shears with a hot stick, the second with an impact tool).
- The CD13 is fully covered and can be installed to -15°F. Storage temperature prior to installation 35°F
- A single shear bolt CD13 TTD IPC can be connected to the covered bus bar for tap connections.
- The connection is hot stick removable with a Sicame notched socket (part #CD13RS).
- The CD13 has a class 3 ASTM F855 short circuit rating.
- A Model **CD13AMG80B** comes with a bare copper connection bar for hot line clamp and grounding applications.
- Applications include aluminum 25 or 35 kV class unshielded aerial spacer cable and tree wire taps and ground connections.



Product Key Features

- **Easy Installation** – No cable stripping required. Can be installed and removed with a hot stick.
- **Range taking** – 25 and 35 kV class 1/0 to 556 kcmil. Cable OD range 0.866 to 1.572 mil.
- **Flexibility** – Taps can easily be made with covered #1 to 4/0 conductor or with hot line clamp.
- **Reliability** – The IPC connections are waterproof and safe from corrosion.
- **Safety** – Easy way to apply safety grounds to a covered unshielded cable with hot sticks.

This fully covered non-tension shear-bolt IPC connector provides a fast, convenient, watertight and reliable method of connecting overhead covered un-shielded medium voltage cables.

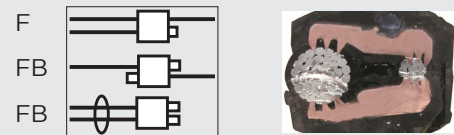


Product Overview and Applications

- This robust IPC connector can be used on overhead medium voltage covered (un-shielded) conductors up to 21kV.
- An anti-tracking option (AT suffix) is available for corrosive environments.
- Applications include connections to covered conductors such as spacer cable and tree wire.
- Its flexible design allows for any combination of watertight midspan and dead end connected taps. A copper bail option is also available for use with hot line clamps.
- Engineered shear bolt applies consistent pressure resulting in reliable connections.
- This shear-bolt IPC connector can replace compression and wedge connectors.
- The TTDC limited warranty covers manufacturing defects for one year from the date of shipment.

Product Key Features

- **Enhanced installation process** - Does not require cable stripping, conductor brushing, or inhibitor application. Turbo spacer feature hold the connector open for tap installation.
- **Easy Installation** - One step installation only requires impact driver, no heavy presses. Enhanced safety by eliminating the necessity of stripping the insulation.
- **Flexibility** - One connector can do mid span and dead end (in-line) connections.



- **Reliability** - Consistent installation torque and fewer steps result in a superior, reliable, waterproof connection every time.

Product No.	Main conductor	Tap conductor	Sheath Thickness	No. of Bolts
TTDC 454010FB	1/0 - 4/0	1/0 - 4/0	0.110 - 0.180	2
TTDC 455310F	3/0 - 397	#2 - 3/0	0.110 - 0.180	2
TTDC 455010FB	3/0 - 397	3/0 - 397	0.110 - 0.180	2
TTDC 454310F	1/0 - 4/0	#2 - 1/0	0.110 - 0.180	2
BI95U	4/0 CU	Bail		