

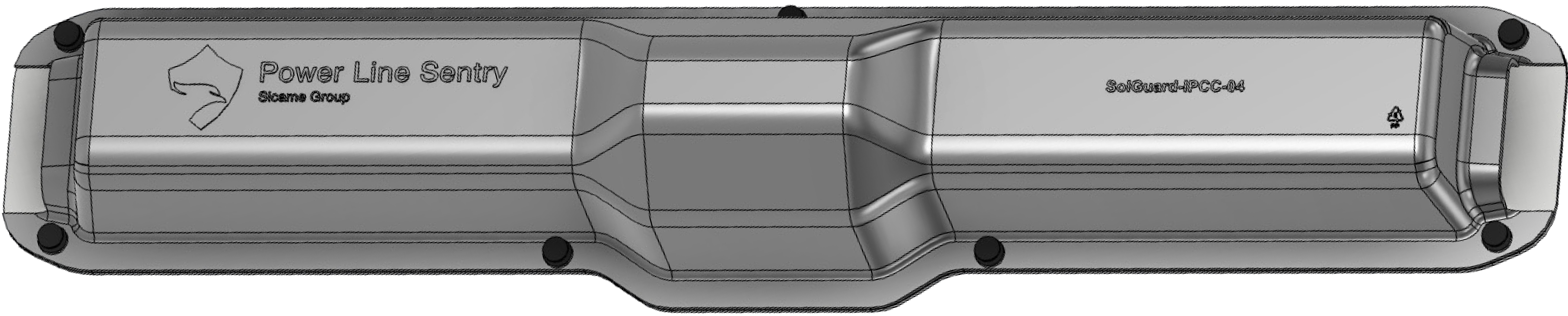
Next Gen Solar Protection

Wildlife chewing or nesting at your solar field?

We can help.



SolGuard: Solar Harness + IPC Guard



Protects
equipment +
wildlife

UL-94
V-0 flame
retardant

Improves
system
reliability

Custom
solutions
available



Power Line Sentry
Sicame Group

